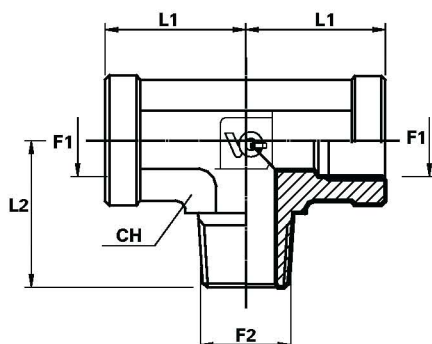


# Adattatore "T" Femmina fissa NPT Maschio NPT al piede

Tee fixed Adaptor female NPT – male NPT - female NPT  
 Adaptateur Té femelle fixe NPT – mâle NPT  
 Adapter T-Stück 2 x IG- NPT / 1 x AG-NPT (Fuß)  
 Adaptador Te hembra fija NPT – macho NPT



F1 NPT  
 F2 NPT

Codice Code Reference Bestell Nr. Codigo	Filetto Thread Filet Gewinde Rosca		Dimensioni Dimensions Dimensions Masszahlen Dimensiones			PN Bar
	F1	F2	CH mm	L1 mm	L2 mm	
TFFN02MN02P	1/8"	1/8"	14	17	20.5	350
TFFN04MN04P	1/4"	1/4"	19	22.5	28	300
TFFN06MN06P	3/8"	3/8"	22	26	31	280
TFFN08MN08P	1/2"	1/2"	27	31	37.5	200
TFFN12MN12P	3/4"	3/4"	33	34.5	45	200
TFFN16MN16P	1"	1"	41	41	55	120