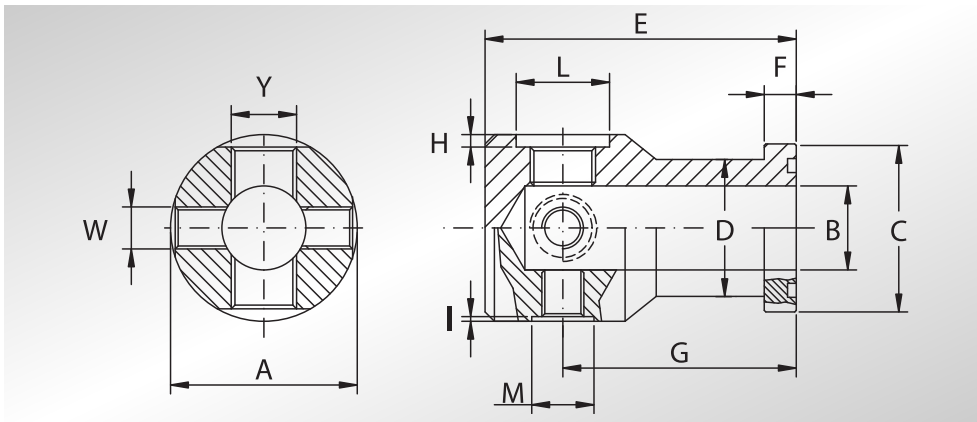


CODOLI DI COLLEGAMENTO

CONNECTION ADAPTERS



Tipo	Dimensioni													Or tipo
Type	Dimensions													Or type
	A	B	C	D	E	F	G	H	I	L	M	W	Y	
SERIE 3000														
COL303	54	22	44,4	38	100	8	75	4	1,5	30	21	1/4" GAS	3/4" GAS	4131
COL304	64	28	50,8	43	100	8	75	4	1,5	30	21	1/4" GAS	3/4" GAS	4150
COL305	70	32	60,3	50	100	8	75	4	1,5	30	21	1/4" GAS	3/4" GAS	4187
COL306	80	50	71,4	62	100	9,53	75	4	1,5	30	21	1/4" GAS	3/4" GAS	4225
SERIE 6000														
COL603	64	25	47,6	38	100	9,53	75	4	1,5	30	21	1/4" GAS	3/4" GAS	4131
COL604	64	27	54,0	44	100	10,29	75	4	1,5	30	21	1/4" GAS	3/4" GAS	4150
COL605	70	32	63,5	51	100	12,57	75	4	1,5	30	21	1/4" GAS	3/4" GAS	4187
COL606	80	45	79,4	67	110	12,57	85	4	1,5	30	21	1/4" GAS	3/4" GAS	4225

DESIGNAZIONE PER ORDINE DESIGNATION FOR ORDER

Il codolo può essere costruito secondo le esigenze con 1 o 2 o 3 o 4 fori con dimensioni da 1/4" a 3/4" gas

The adapter can be made in accordance with the needs with 1 or 2 or 3 or 4 holes with dimensions from 1/4" to 3/4"

Materiale / Material

A105 o similare (or similar)

ES.: COL604Y3/4 (1 FORO)

EX.: COL 604Y3/4 (1 HOLE)

NOTE / NOTES