

Adattatore "T"

Femmina fissa Gas cilindrica

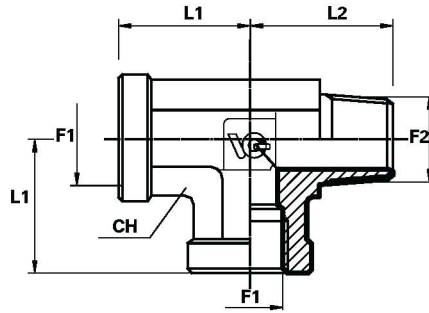
Maschio Gas conico al braccio

Tee Adaptor fixed female BSPP – fixed female BSPP - male BSPT

Adaptateur Tê femelle fixe BSPP – femelle fixe BSPP- mâle conique

Adapter T-Stück 2 x AG- zöllig / 1 x AG-Konish (Arm)

Adaptador Te hembra fija BSPP – macho cónico - hembra fija BSPP



F1 BSPP, Gas cylindrique, Zylinder - Gasgewindr, Gas cilindrca
F2 Gas conico BSPT, Gaz conique, Kegliges Gasgewinde
 Rosca cónica

Codice
 Code
 Référence
 Bestell Nr.
 Código

Filetto
 Thread
 Filet
 Gewinde
 Rosca

Dimensioni
 Dimensions
 Dimensions
 Masszahlen
 Dimensiones

	F1	F2	CH	L1	L2						PN
			mm	mm	mm						Bar
TFFG02MGK02B	1/8"	1/8"	14	17	20.5						350
TFFG04MGK04B	1/4"	1/4"	19	22.5	28						300
TFFG06MGK06B	3/8"	3/8"	22	26	31						280
TFFG08MGK08B	1/2"	1/2"	27	31	37.5						200
TFFG12MGK12B	3/4"	3/4"	33	34.5	45						200
TFFG16MGK16B	1"	1"	41	43	55						120